



Name _____

Date _____

Review #2

Solve.

1) $8 - 6(x + 3) = 9 - 7(x + 2)$

Solve. Clear fractions first.

2) $\frac{2}{5}x - \frac{1}{3}x = 3$

Solve.

3) $4y + 4 = 2y$

4) $6(x + 2) + 15 = 7(x + 1) + 16$

5) $V = \frac{1}{3}Bh$ for B

6) $x = \frac{w + y + z}{9}$ for z

Solve the problem.

7) By switching service providers, a family's telephone bill decreased from about \$50 a month to about \$45. What was the percent of decrease?

8) The sum of three consecutive integers is 471. Find the integers.

9) If the first and third of three consecutive odd integers are added, the result is 69 less than five times the second integer. Find the third integer.

Solve using the addition and multiplication principles.

10) $4x + 8 \geq 5x - 1$

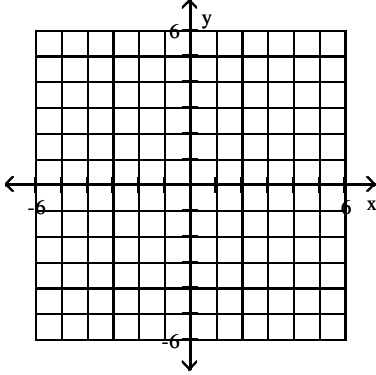
11) $\frac{x}{2} + 6 \leq 9$

Solve the problem.

12) Jim has gotten scores of 67 and 95 on his first two tests. What score must he get on his third test to keep an average of 85 or greater?

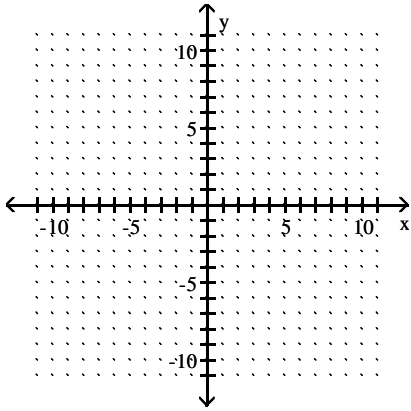
Plot the ordered pairs on the rectangular coordinate system provided.

13) $A(2, 2)$, $B(-4, 1)$



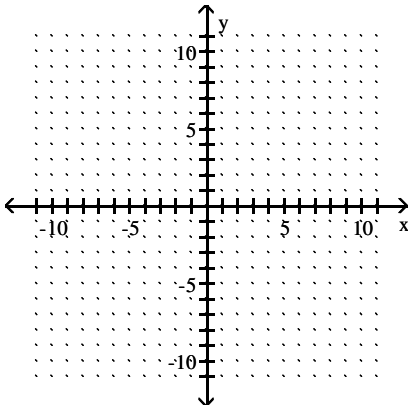
Graph the line containing the given pair of points and find the slope.

14) $(-7, 0)$, $(-2, -1)$



Graph.

15) $y = -3$



Find the slope of the line going through the pair of points.

16) $(-6, 4)$, $(-3, -7)$

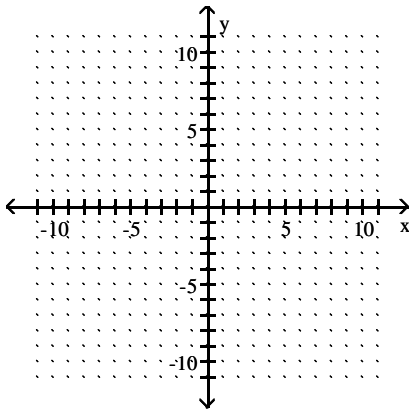
Find an equation of the line with the given slope and y-intercept.

17) Slope = 6, y-intercept = $(0, -10)$

18) Slope = $-\frac{4}{3}$, y-intercept = (0, 7)

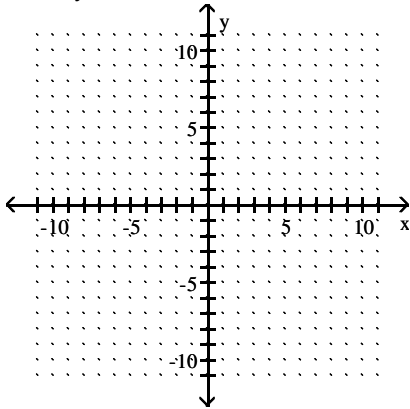
Graph using the slope and the y-intercept.

19) $2x - y = 6$



Graph the linear inequality.

20) $2x + 4y \geq -8$



Answer Key

Testname: MATH 0409 REVIEW 2

1) 5

Objective: (10.3) c: Remove Parentheses, Collect Terms, and Solve

2) 45

Objective: (10.3) b: Solve Equation by Collecting Like Terms (Fractions)

3) -2

Objective: (10.3) b: Solve Equation by Collecting Like Terms (Integers)

4) 4

Objective: (10.3) c: Remove Parentheses, Collect Terms, and Solve

5) $B = \frac{3V}{h}$

Objective: (10.4) b: Solve Formula for Specified Letter

6) $z = 9x - w - y$

Objective: (10.4) b: Solve Formula for Specified Letter

7) 10%

Objective: (10.5) a: Solve Apps: Percent Increase or Decrease

8) 156, 157, 158

Objective: (10.6) a: Solve Apps: Numbers

9) 25

Objective: (10.6) a: Solve Apps: Numbers

10) $\{x \mid x \leq 9\}$

Objective: (10.7) e: Solve Inequality Using Both Principles

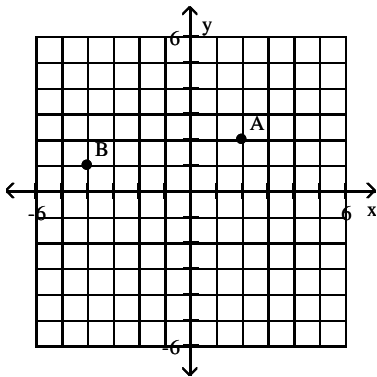
11) $\{x \mid x \leq 6\}$

Objective: (10.7) e: Solve Inequality Using Both Principles

12) At least 93

Objective: (10.8) b: Solve Apps: Miscellaneous

13)

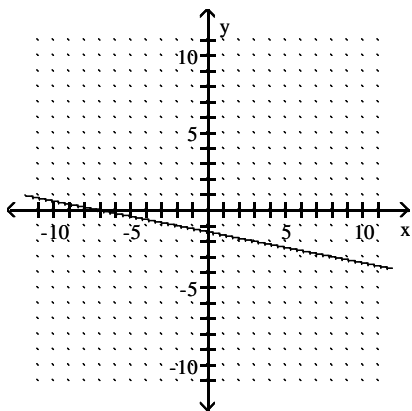


Objective: (11.1) a: Plot Points Associated with Ordered Pairs

Answer Key

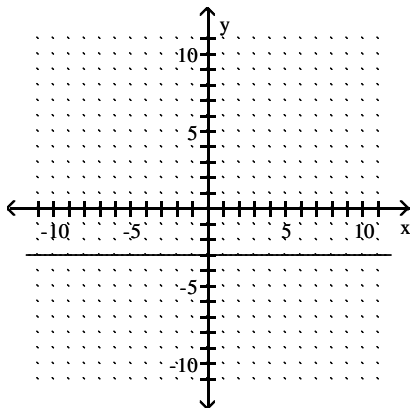
Testname: MATH 0409 REVIEW 2

14) $-\frac{1}{5}$



Objective: (11.3) a: Graph Line and Find Slope Given Two Points

15)



Objective: (11.2) b: Graph $x=a$ or $y=b$ Equation

16) $-\frac{11}{3}$

Objective: (11.3) a: Find Slope Given Two Points

17) $y = 6x - 10$

Objective: (11.4) a: Find Equation Given Slope and Intercept

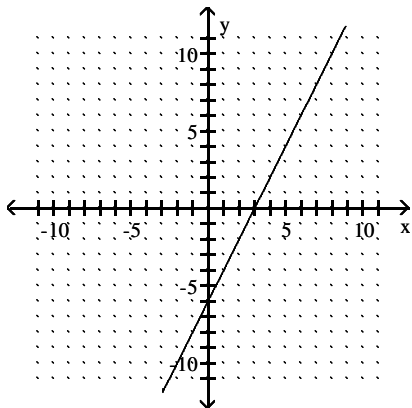
18) $y = -\frac{4}{3}x + 7$

Objective: (11.4) a: Find Equation Given Slope and Intercept

Answer Key

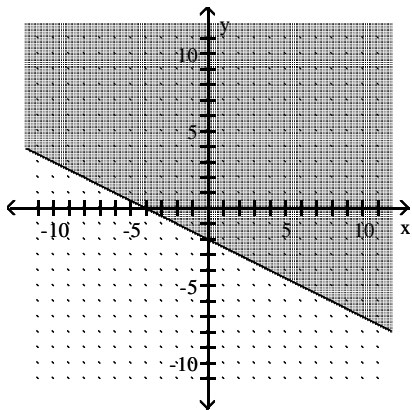
Testname: MATH 0409 REVIEW 2

19)



Objective: (11.5) a: Graph Line Using Slope and y-Intercept

20)



Objective: (11.7) b: Graph Linear Inequality